

**For Residential and Commercial Applications**

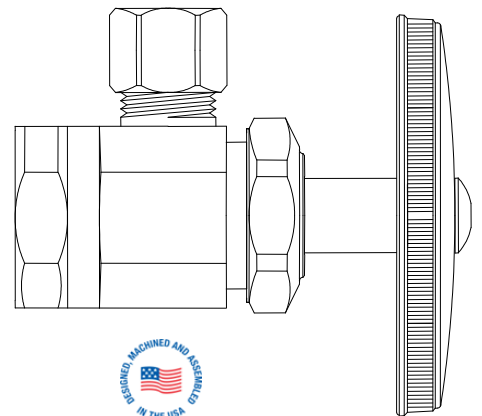
Job Name		Engineer / Architect	
Job Location		Wholesaler	
Submittal Date		Contractor	

## R1700 & R1701 Multi-Turn Dual Outlet Stop – Female Iron Pipe (inlet) x Compression x Compression

**Use:** For use in potable water distribution systems. Not intended for recirculating water systems that produce continuous use temperatures above 115° F. For those applications, use BrassCraft KT series ball stops

**Design Features:**

- **Machined one-piece brass body** provides strength, durability and long-lasting performance
- **Knurled oval handle** provides a secure grip and smooth on/off operation
- **Easy-to-remove handle** with screw attachment protects accidental stop operation during rough-ins
- **Compliant Stops** available for California and Vermont “no-lead” requirements.



**Operating Specifications:**

**Temperature:** 40° - 140° F  
**Pressure:** 125 psi maximum

**Standard**

MATERIAL SPECIFICATIONS	
<b>Valve Body</b>	C36000 brass
<b>Stem</b>	POM or C36000 brass*
<b>Bib &amp; Packing Washers</b>	Nitrile or EPDM rubber
<b>Packing Nut</b>	C36000 brass
<b>Handle</b>	ABS, chrome plated
<b>Handle Screw</b>	Zinc-plated steel
<b>Compression Sleeve</b>	C36000 brass
<b>Compression Nut</b>	C36000 brass, chrome plated

**Compliant**

MATERIAL SPECIFICATIONS	
<b>Valve Body</b>	Compliant brass
<b>Stem</b>	POM or Compliant brass*
<b>Bib &amp; Packing Washers</b>	Nitrile or EPDM rubber
<b>Packing Nut</b>	Compliant brass
<b>Handle</b>	ABS, chrome plated
<b>Handle Screw</b>	Zinc-plated steel
<b>Compression Sleeve</b>	Compliant brass
<b>Compression Nut</b>	C36000 brass, chrome plated

\*Where specified

**Standard Part Listing:**

- R1700R CD 1/2" F.I.P. x 3/8" OD Compression x 1/4" OD Compression (right side), chrome plated, carded
- R1700R C1 1/2" F.I.P. x 3/8" OD Compression x 1/4" OD Compression (right side), chrome plated, window tray
- R1700R RD 1/2" F.I.P. x 3/8" OD Compression x 1/4" OD Compression (right side), rough brass, carded
- R1700R R1 1/2" F.I.P. x 3/8" OD Compression x 1/4" OD Compression (right side), chrome plated, carded
- R1700RZ R 1/2" F.I.P. x 3/8" OD Compression x 1/4" OD Compression (right side), brass stem, rough brass
- R1700RZ R1 1/2" F.I.P. x 3/8" OD Compression x 1/4" OD Compression (right side), brass stem, rough brass, window tray

*This specification and all information contained herein is the confidential and exclusive property of BrassCraft Manufacturing, and shall not be disclosed to others without the written consent of BrassCraft. This specification must be returned to BrassCraft if requested.*



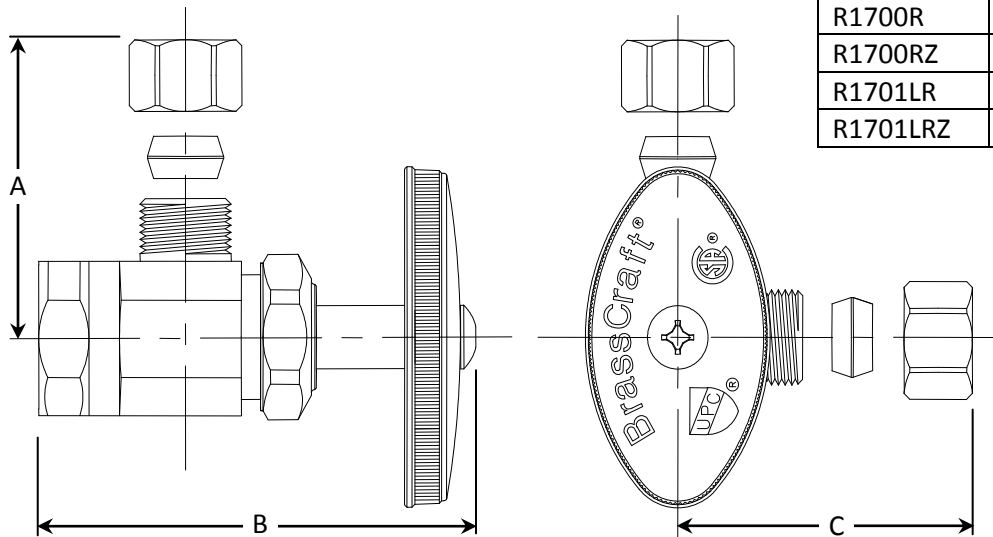
# R1700 & R1701 Multi-Turn Dual Outlet Stop – Female Iron Pipe x Compression x Compression

### Standard Part Listing (con't):

- R1701LR C 1/2" F.I.P. x 3/8" OD Compression x 3/8" OD Compression, chrome plated
- R1701LR CD 1/2" F.I.P. x 3/8" OD Compression x 3/8" OD Compression, chrome plated, carded
- R1701LR C1 1/2" F.I.P. x 3/8" OD Compression x 3/8" OD Compression, chrome plated, window tray
- R1701LR C1T 1/2" F.I.P. x 3/8" OD Compression x 3/8" OD Compression, chrome plated, plain window tray
- R1701LR RD 1/2" F.I.P. x 3/8" OD Compression x 3/8" OD Compression, rough brass, carded
- R1701LR R1 1/2" F.I.P. x 3/8" OD Compression x 3/8" OD Compression, rough brass, window tray
- R1701LRZ C1 1/2" F.I.P. x 3/8" OD Compression x 3/8" OD Compression, brass stem, chrome plated, window tray
- R1701LRZ R1 1/2" F.I.P. x 3/8" OD Compression x 3/8" OD Compression, brass stem, rough brass, window tray

### Compliant Part Listing:

- R1700RX C1 1/2" F.I.P. x 3/8" OD Compression x 1/4" OD Compression (right side), chrome plated, window tray
- R1700RX R 1/2" F.I.P. x 3/8" OD Compression x 1/4" OD Compression (right side), rough brass
- R1701LRX C1 1/2" F.I.P. x 3/8" OD Compression x 3/8" OD Compression, chrome plated, window tray
- R1701LRX RD 1/2" F.I.P. x 3/8" OD Compression x 3/8" OD Compression, rough brass, carded
- R1701LRX R1 1/2" F.I.P. x 3/8" OD Compression x 3/8" OD Compression, rough brass, window tray



PART DIMENSIONS (Inches)			
Model	DIM. A	DIM. B	DIM. C
R1700R	1.06	2.49	1.06
R1700RZ	1.06	2.49	1.06
R1701LR	1.06	2.49	1.06
R1701LRZ	1.06	2.49	1.06

### Listings & Certifications:

- IAPMO listed to ASME A112.18.1-05 / CSA B125.1-05 (File # 0645)
- CSA listed to ASME A112.18.1-05 / CSA B125.1-05 (File # 204593)
- CSA approved to AB1953 (Project # 2174785)



*This specification and all information contained herein is the confidential and exclusive property of BrassCraft Manufacturing, and shall not be disclosed to others without the written consent of BrassCraft. This specification must be returned to BrassCraft if requested.*

**BrassCraft®**